


# PANZERI

## Hilow

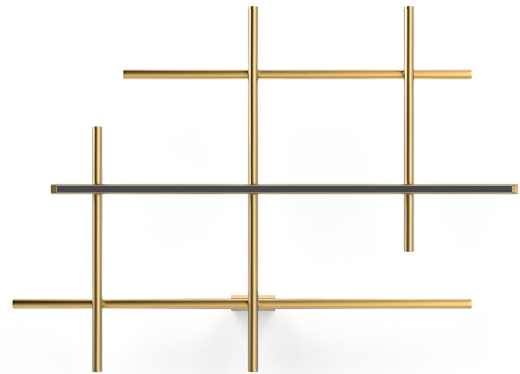
24V DC  
A02919.115.0510

 mat brass



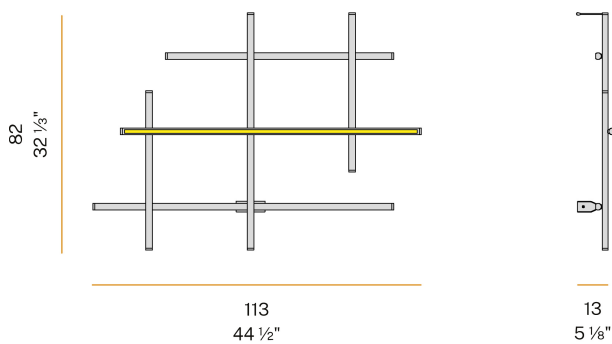
### Data sheet

CODE	A02919.115.0510
SYSTEM POWER CONSUMPTION	73W
EFFICACY	56lm/W
LIGHT SOURCE	LED
LIGHT SOURCE LIFETIME	L70 (B10) 60.000h
COLOUR TEMPERATURE	2700K Ra>90
LIGHT DISTRIBUTION	diffused
POWER SUPPLY	24V DC
DRIVER	remote not included
NOMINAL LUMINOUS FLUX	8568lm
LUMEN OUTPUT	4088lm
EFFICIENCY	47.7%
WEIGHT	2,15 Kg
PROTECTION DEGREE	IP20
COLOUR TOLLERANCES	SDCM 3
PACKING DIMENSIONS (CM)	0,0 x 0,0 x 0,0



Wall lighting fixture for interiors, with direct and indirect light emission.  
Pickled sheet metal wall bracket in polyacrylic paint.  
Pickled sheet metal wall plate in polyacrylic paint.  
Extruded aluminium structure in white, mat black, bronze, mat brass or titanium polyacrylic paint.  
Joints in turned brass and die-cast aluminium in polyacrylic paint.  
Die-cast aluminium end caps in polyacrylic paint.  
Extruded polycarbonate diffusers with black finish for direct light emission and opaline finish for indirect light emission.

### Technical drawing



### Polar diagram

